



BEVERAGE-AIR

| | |
|-----------------|------|
| Project: _____ | AIA# |
| Item: _____ | |
| Location: _____ | SIS# |
| Approved: _____ | |

DPD60HC FOOD PREPARATION : DELI/PIZZA PREP SERIES

FOOD PREPARATION TABLES

DPD60HC Deli/Pizza Prep Table with Two Drawers Hydrocarbon Series

MODEL:
DPD60HC-2



5 Year Parts/Labor Warranty Available
7 Year Compressor Warranty

CABINET CONSTRUCTION

- Stainless steel front, sides, top, drawers and grille (galvanized back & bottom)
- Interior liner is made of corrosion resistant aluminum
- Aluminum top interior liner prevents spill from falling into cabinet
- Stainless steel top
- Removable hoods and insulated lid assemblies are made of matching stainless steel
- Magnetic gaskets provide positive seal on drawers
- 3" Casters, 2 with brakes standard
- 19" Wide reversible cutting board is removable for easy cleaning
- Units will accept pans up to 6" deep (pans are not included)
- Drawer frames are heavy-duty stainless steel
- 12-Gauge stainless steel drawer slides with Delrin® rollers rated at 275 lbs
- Telescoping slides, with locking mechanism to prevent drawers from being pulled off of cabinet
- Heavy-duty pan locking divider supports are standard in drawers
- Compressor available on left or right, specify at time of unit order

OPTIONS & ACCESSORIES

- 3 Year parts/labor standard, additional 2 year warranty available
- Stainless steel back
- Stainless steel interior
- Clear lid
- Overshelf kits
- Pan support
- Composite cutting board
- Thermometer
- Night cover
- 6" Legs black or seismic/flanged
- Remote option* (see note on back page)

REFRIGERATION SYSTEM

- Uses environmentally friendly, energy efficient R290 refrigerant, and meets all regulatory requirements for CARB, SNAP, DOE & more
- Adaptive defrost
- Epoxy coated evaporator coil
- Enhanced airflow maintains temperatures between 36° - 38°F



Please verify qualifying units by visiting:
www.energystar.gov/cfs

3779 Champion Blvd., Winston-Salem, NC 27105
1-888-845-9800 Fax: 1-336-245-6453
Beverage-Air.com Sales@bevair.com

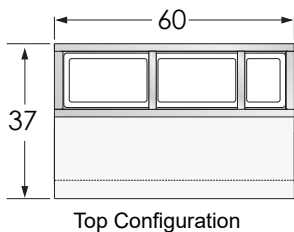


BEVERAGE-AIR

Deli/Pizza Preparation Table with Drawers Model: DPD60HC-2

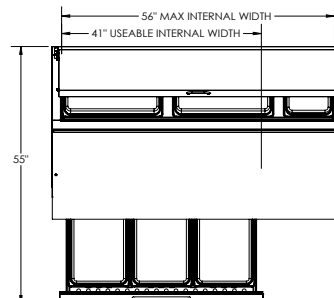
| MODEL | DPD60HC-2 |
|--|-------------------|
| EXTERNAL DIMENSIONAL DATA | |
| Width Overall | 60" |
| Depth Overall with Cutting Board | 37" |
| Height Overall with 3" Casters with Lid Open | 53 1/4" |
| No. of Drawers | 2 |
| Depth with Drawer Open 90° | 55" |
| Drawer Openings | 40 1/2" x 10 7/8" |
| Depth, Cutting Board | 19" |
| INTERNAL DIMENSIONAL DATA | |
| NET Capacity (cubic ft.) | 17.0 |
| Internal Width Overall (in) | 56" |
| Internal Width Usable (in) | 41" |
| Internal Depth Overall (in) | 26" |
| Internal Height Overall (in) | 23 3/4" |
| ELECTRICAL DATA | |
| Full Load Amperes | 4.5 |
| REFRIGERATION DATA | |
| Horsepower | 1/2 |
| Capacity (BTU/Hr) | 2940 |
| Heat Rejection (BTU/Hr) | 4410 |
| Charge (lbs/grams) | 0.231/105 |
| SHIPPING DATA | |
| Gross Weight - Crated | 514 lbs |
| Height - Crated | 48" |
| Width - Crated | 69" |
| Depth - Crated | 37" |

*NOTE: Remote units are field wired and come with 6" legs.
Refrigerant must be specified at time of order.

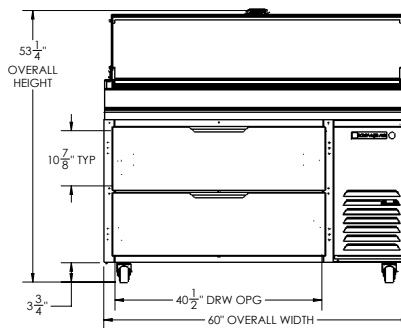


Model Views

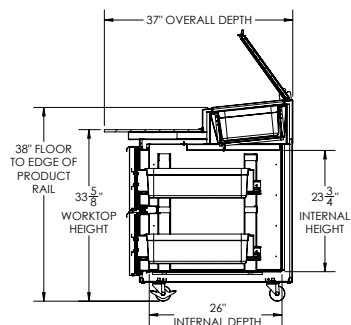
Required Clearance: 2" bottom & 2" rear



PLAN VIEW



ELEVATION VIEW



SIDE VIEW



ELECTRICAL CONNECTION



115/60/1
NEMA 5-15P

Unit pre-wired at factory
and include 8' long cord
and plug set.